

Product Specification

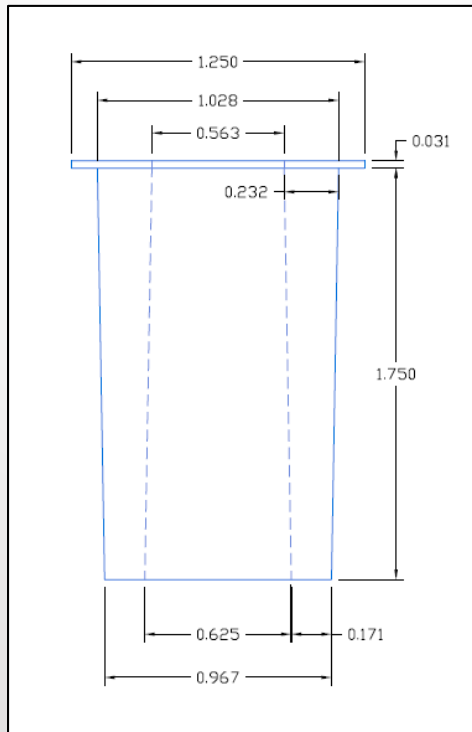
CES Shear Bushing Inserts



Product Description

CES Shear Bushing Inserts are employed to improve the bearing area of bolted connections in pultruded frp connections. The inserts are manufactured from polycarbonate material which has a hardness greater than pultruded frp. The inserts are available in 4 lengths: 0.50", 0.75", 1.50" and 1.75".

Dimensions shown to the below are for the 1.75" product. Dimensional drawings for other lengths available on request.



CES
Shear
Bushing
Insert



CE Shepherd Company L.P.

2221 Canada Dry Street | Houston, TX 77023
713.924.4300 (Main) | 713.928.2559 (Fax)
Email: coolingtowers@ceshepherd.com

